

Customer	Project	Page	1 / 1
Customer no.	Project no.	Date	16/11/2012
Contact	Position	SERIES AXW smart	
Care of	Location		

AXW 14 smart 11 5943.0150
 Speed controlled service water pump

Requested data

Fluid	Water, pure
Temperature	20 °C
Flow	0 m³/h
Head	0 m
Pump type	Single head pump
Number of pumps	1

Operating pump data

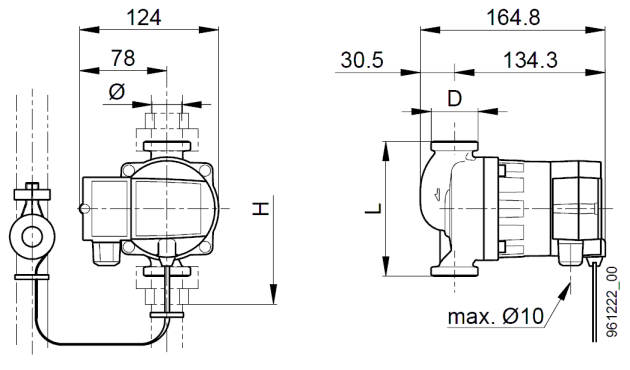
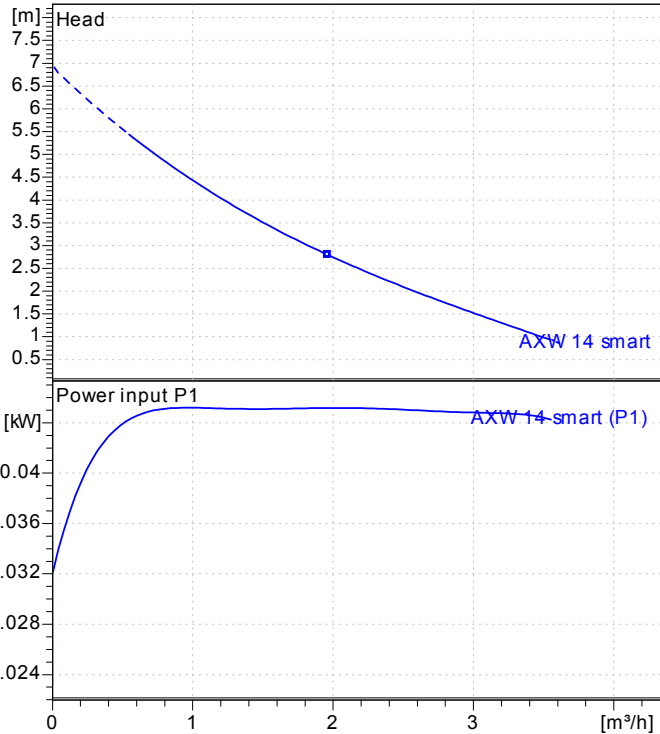
Flow	
Head	
Power input P1	
Shaft power P2	
Efficiency	%
Discharge connection	1 ¼"
Suction size	1 ¼"
Installation	AXW 14 smart 1 ¼" x 150 mm
Shaft seal	

Motor data

Frequency	50 Hz
Rated voltage	230 V
Nominal speed	2900 1/min
Number of poles	2
Power P1	0.15 kW
Power P2	0.04 kW
Rated current	0.38 A
Motor type	1~
Insulation class	F
Degree of protection	IP 44

General data

Weight	2.6 kg
Max. operating pressure	1000 kPa



Dimensions in mm

D	1 ¼"		
H	200		
L	150		
ø	¾"		

Remarks: